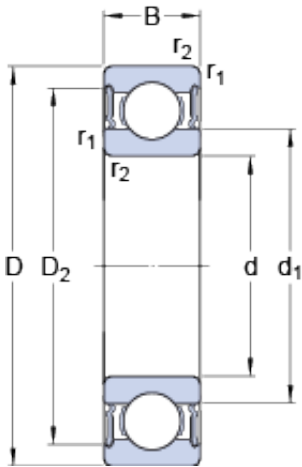




# NTPT NTK BEARINGS CO.,LTD.



6214-2RS1/HC5C3WT Bearing 2D drawings and 3D CAD models

## 6214-2RS1/HC5C3WT SKF Hybrid Deep Groove Ball Bearings

Bearing No. 6214-2RS1/HC5C3WT

Size	125x70x24 mm
Bore Diameter	125 mm
Outer Diameter	70 mm
Width	24 mm
d	70 mm
D	125 mm
B	24 mm
d <sub>1</sub>	87.05 mm
D <sub>2</sub>	111 mm
d <sub>a</sub> - min.	79 mm
d <sub>a</sub> - max.	87 mm
D <sub>a</sub> - max.	116 mm
r <sub>a</sub> - max.	1.5 mm
Basic dynamic load rating - C	63.7 kN
Basic static load rating - C <sub>0</sub>	45 kN
Fatigue load limit - P <sub>u</sub>	1.9 kN
Limiting speed	3400 r/min
Calculation factor - k <sub>r</sub>	0.025
Calculation factor - f <sub>0</sub>	14.7
Category	Single Row Ball Bearings
Inventory	0.0
Manufacturer Name	SKF
Minimum Buy Quantity	N/A
Weight / Kilogram	0



## NTPT NTK BEARINGS CO.,LTD.

Product Group	B00308
Enclosure	2 Seals
Precision Class	ABEC 1   ISO P0
Maximum Capacity / Filling Slot	No
Rolling Element	Ball Bearing
Snap Ring	No
Internal Special Features	Silicon Nitride Rolling Element   Electrical Insulated
Cage Material	Steel
Enclosure Type	Contact Seal
Internal Clearance	C3-Loose
Inch - Metric	Metric
Long Description	70MM Bore; 125MM Outside Diameter; 24MM Outer Race Width; 2 Seals; Ball Bearing; ABEC 1   ISO P0; No Filling Slot; No Snap Ring; Silicon Nitride Rolling Element   Electrical Insulated Internal Special
Other Features	Deep Groove   NBR Seal   Hybrid Silicon Nitride Rolling Element   WT Standard Grease
Category	Single Row Ball Bearing
UNSPSC	31171504
Harmonized Tariff Code	8482.10.50.68
Noun	Bearing
Keyword String	Ball
Manufacturer URL	<a href="http://www.skf.com">http://www.skf.com</a>
Weight / LBS	1
Outer Race Width	0.945 Inch   24 Millimeter
Bore	2.756 Inch   70 Millimeter
Outside Diameter	4.921 Inch   125 Millimeter



## NTPT NTK BEARINGS CO.,LTD.

Inner Race Width	0 Inch   0 Millimeter
$d_1$	87.05 mm
$D_2$	111 mm
$r_{1,2}$ min.	1.5 mm
$d_a$ min.	79 mm
$d_a$ max.	87 mm
$D_a$ max.	116 mm
$r_a$ max.	1.5 mm
Basic dynamic load rating C	63.7 kN
Basic static load rating $C_0$	45 kN
Fatigue load limit $P_u$	1.9 kN
Calculation factor $k_r$	0.025
Calculation factor $f_0$	14.7
Mass bearing	1 kg